

2.6 Watt Mono Filter-Free Class-D Audio Power Amplifier

Features

- Efficiency With an 8-Ω Speaker:
 - 88% at 400 mW
 - 80% at 100 mW
- 3.8mA Quiescent Current
- 0.4μA Shutdown Current
- Optimized PWM Output Stage Eliminates LC Output Filter
- Internally Generated 250-kHz Switching Frequency Eliminates Capacitor and Resistor
- Improved PSRR (-75 dB) and Wide Supply Voltage (2.5 V to 5.5 V) Eliminates Need for a Voltage Regulator
- Fully Differential Design Reduces RF Rectification and Eliminates Bypass Capacitor
- Improved CMRR Eliminates Two Input Coupling Capacitors
- MSOP8 and SOP8 package

General Description

The BL6306 is a 2.6W high efficiency filter-free class-D audio power amplifier that requires only three external components.

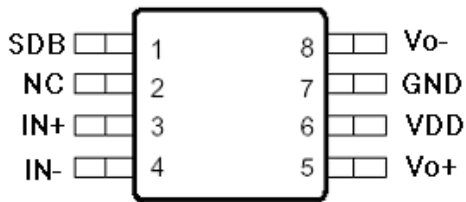
Features like 88% efficiency, -75dB PSRR, and improved RF-rectification immunity make the BL6306 ideal for cellular handsets. In cellular handsets, the earpiece, speaker phone, and melody ringer can each be driven by the BL6306.

Applications

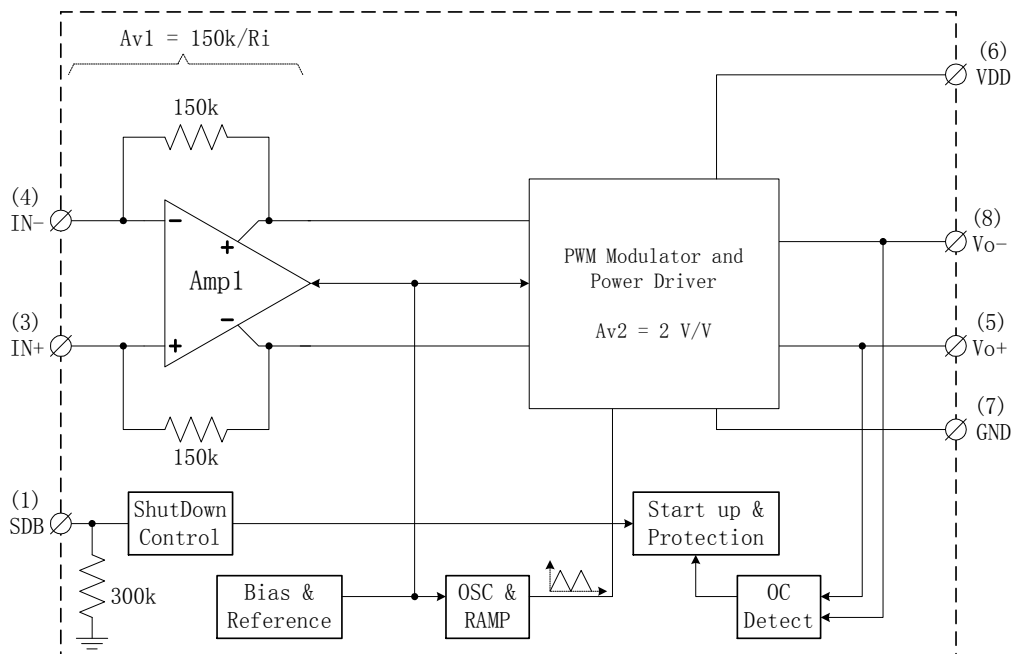
- Mobile phone、PDA、MID
- MP3/4、PMP
- Portable electronic devices

Order Information

Part Number	Package	Shipping
BL6306MM	MSOP8	3000 pcs / Tape & Reel
BL6306SO	SOP8	2500 pcs / Tape & Reel

Pin Diagrams
**SOP8/MSOP8 PACKAGE
(TOP VIEW)**

Pin Description

Pin #	Name	Description
1	SDB	Shutdown terminal (low active)
2	NC	NC (No internal connection)
3	IN+	Positive differential input
4	IN-	Negative differential input
5	VO+	Positive BTL output
6	VDD	Power Supply
7	PGND	Power Ground
8	VO-	Negative BTL output

Function Block Diagram


Notes: Total Voltage Gain = $Av1 \times Av2 = 2 \times \frac{150k}{R_i}$

Figure 1. Function Block Diagram

Application Circuit

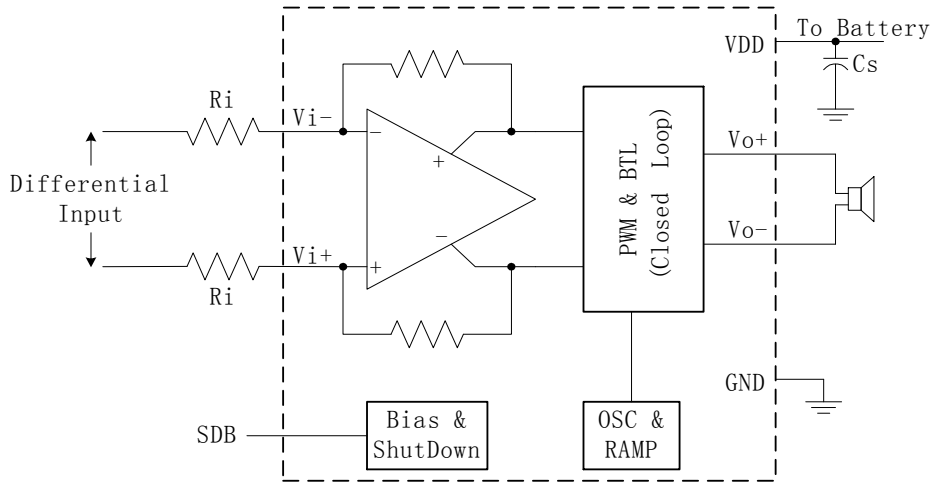


Figure 2. BL6306 Application Schematic With Differential Input

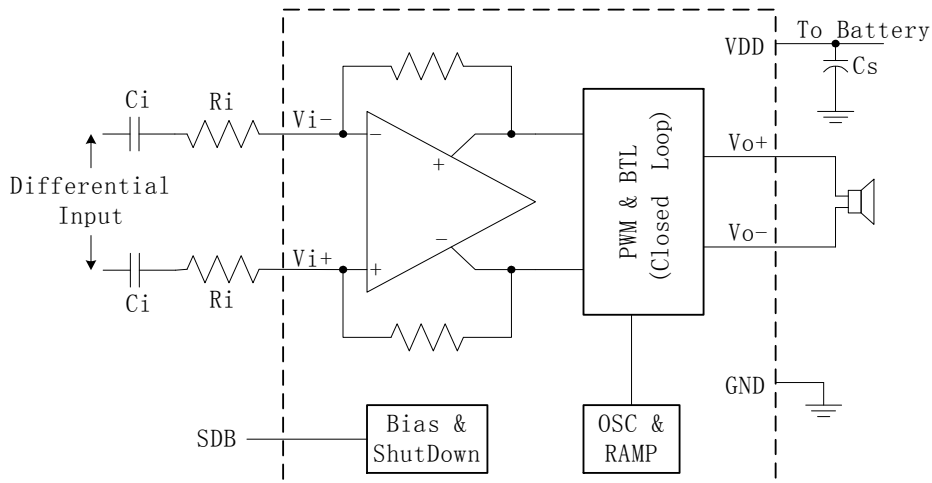


Figure 3. BL6306 Application Schematic With Differential Input and Input Capacitors

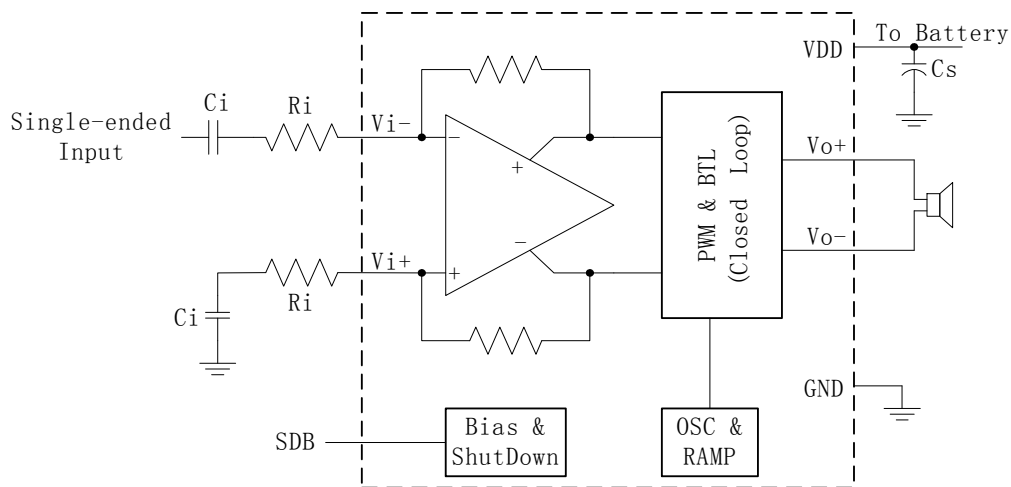


Figure 4. BL6306 Application Schematic With Single-Ended Input

Absolute Maximum Ratings

Supply Voltage	-0.3V to 6V
Input Voltage	-0.3V to VDD+0.3V
Storage Temperature	-65°C to +150°C
Operating Temperature Range	-40°C to +85°C

NOTE: Absolute Maximum Ratings indicate limits beyond which damage to the device may occur. Operating Rating indicate conditions for which the device is functional, but do not guarantee specific performance limits.

Electrical Characteristics

The following specifications apply for the circuit shown in Figure 5.

T_A = 25°C, unless otherwise specified.

Symbol	Parameter	Conditions	Spec			Units
			Min.	Typ.	Max.	
I _{SD}	Shutdown Current	V _{IN} =0V, V _{SDB} =0V, No Load		0.4	2	uA
I _Q	Quiescent Current	V _{DD} = 2.5V, V _{IN} = 0V, No Load		2.2	3.2	mA
		V _{DD} = 3.6V, V _{IN} = 0V, No Load		2.6		
		V _{DD} = 5.5V, V _{IN} = 0V, No Load		3.8	8	
V _{OS}	Output Offset Voltage	V _{IN} = 0V, A _v = 2V/V, V _{DD} = 2.5V to 5.5V		2	25	mV
PSRR	Power Supply Rejection Ratio	V _{DD} = 2.5V to 5.5V		-75		dB
CMRR	Common Mode Rejection Ratio	V _{DD} = 2.5V to 5.5V, V _{IC} = V _{DD} /2 to 0.5V, V _{IC} = V _{DD} /2 to V _{DD} - 0.8V		-68		dB
F _{SW}	Modulation frequency	V _{DD} = 2.5V to 5.5V	200	250	300	kHz
A _v	Voltage gain	V _{DD} = 2.5V to 5.5V	$\frac{270k}{R_1}$	$\frac{300k}{R_1}$	$\frac{330k}{R_1}$	V/V
R _{SDB}	Resistance from SDB to GND			300		kΩ
Z _I	Input impedance		135	150	165	kΩ
T _{WU}	Wake-up time from shutdown	V _{DD} = 3.6V		32		mS
r _{DS(on)}	Drain-Source resistance (on-state)	V _{DD} = 2.5V		700		mΩ
		V _{DD} = 3.6V		500		
		V _{DD} = 5.5V		400		
V _{SDIH}	Shutdown Voltage Input High		1.3			V
V _{SDIL}	Shutdown Voltage Input Low				0.4	V

Operating Characteristics

□ $V_{DD} = 5V$, $R_I = 150k\Omega$, $T_A = 25^\circ C$, unless otherwise specified.

Symbol	Parameter	Conditions	Spec			Units
			Min.	Typ.	Max.	
P _O	Output Power	THD+N=10%, f=1KHz, R _L = 4Ω		2.60		W
		THD+N=1%, f=1KHz, R _L = 4Ω		2.10		
		THD+N=10%, f=1KHz, R _L = 8Ω		1.60		
		THD+N=1%, f=1KHz, R _L = 8Ω		1.30		
THD+N	Total Harmonic Distortion + Noise	Po=1.0Wrms, f=1kHz, R _L = 8Ω		0.21		%
SNR	Signal-to-Noise ratio	V _{DD} =5V, Po=1.0Wrms, R _L = 8Ω		91		dB

□ $V_{DD} = 3.6V$, $R_I = 150k\Omega$, $T_A = 25^\circ C$, unless otherwise specified.

Symbol	Parameter	Conditions	Spec			Units
			Min.	Typ.	Max.	
P _O	Output Power	THD+N=10%, f=1KHz, R _L = 4Ω		1.35		W
		THD+N=1%, f=1KHz, R _L = 4Ω		1.08		
		THD+N=10%, f=1KHz, R _L = 8Ω		0.85		
		THD+N=1%, f=1KHz, R _L = 8Ω		0.69		
THD+N	Total Harmonic Distortion + Noise	Po=0.5Wrms, f=1kHz, R _L = 8Ω		0.21		%
K _{SVR}	Supply ripple rejection ratio	V _{DD} = 3.6V, input ac-grounded with C ₁ = 2uF f=217Hz, V(Ripple)=200mV _{pp}		-65		dB
V _n	Output voltage noise	V _{DD} = 3.6V, input ac-grounded with C ₁ = 2uF, f=20~20kHz	No weighting	100		uV _{RMS}
			A weighting	75		
CMRR	Common Mode Rejection Ratio	V _{DD} = 3.6V, V _{IC} = 1 V _{pp} , f=217Hz		-70		dB

□ $V_{DD} = 2.5V$, $R_I = 150k\Omega$, $T_A = 25^\circ C$, unless otherwise specified.

Symbol	Parameter	Conditions	Spec			Units
			Min.	Typ.	Max.	
P _O	Output Power	THD+N=10%, f=1KHz, R _L = 4Ω		0.60		W
		THD+N=1%, f=1KHz, R _L = 4Ω		0.51		
		THD+N=10%, f=1KHz, R _L = 8Ω		0.40		
		THD+N=1%, f=1KHz, R _L = 8Ω		0.33		
THD+N	Total Harmonic Distortion + Noise	Po=0.2Wrms, f=1kHz, R _L = 8Ω		0.21		%

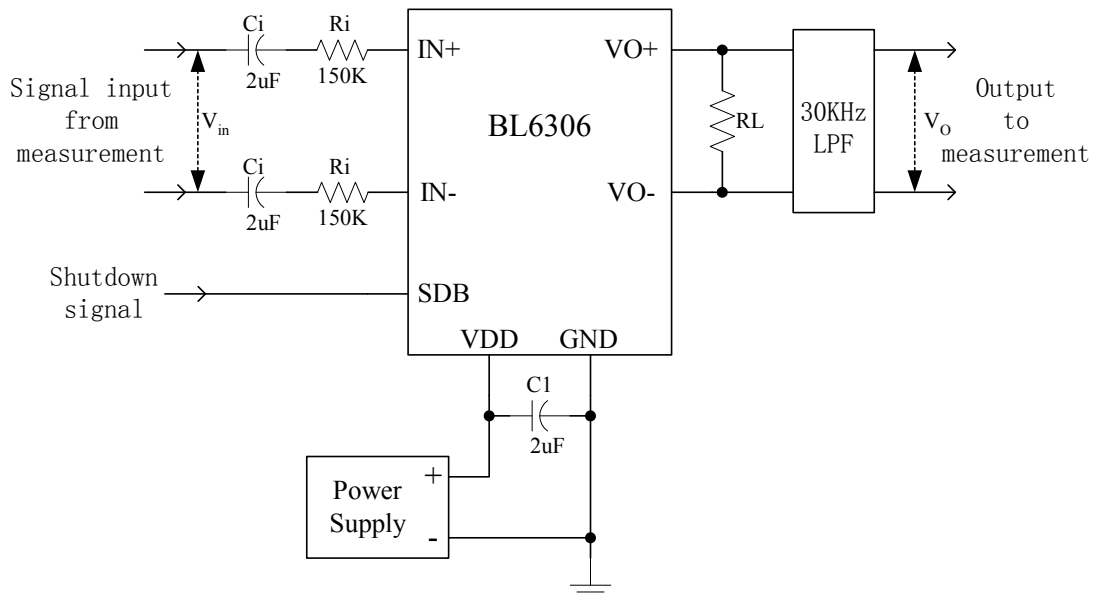
Test Circuit


Figure 5. BL6306 test set up circuit

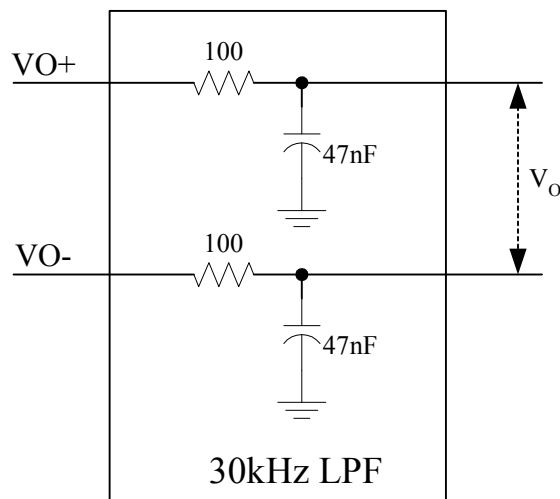


Figure 6. 30-kHz LPF for BL6306 test

- Notes:
- 1>. C_S should be placed as close as possible to VDD/GND pad of the device
 - 2>. C_i should be shorted for any Common-Mode input voltage measurement
 - 3>. A 33uH inductor should be used in series with R_L for efficiency measurement
 - 4>. The 30 kHz LPF (shown in figure 5) is required even if the analyzer has an internal LPF

Component Recommended

Due to the weak noise immunity of the single-ended input application, the differential input application should be used whenever possible. The typical component values are listed in the table:

R_I	C_I	C_S
150 k	3.3 nF	2 uF

- (1) C_1 should have a tolerance of $\pm 10\%$ or better to reduce impedance mismatch.
- (2) Use 1% tolerance resistors or better to keep the performance optimized, and place the R_1 close to the device to limit noise injection on the high-impedance nodes.

Input Resistors (R_1) & Capacitors (C_1)

The input resistors (R_1) set the total voltage gain of the amplifier according to Eq1

$$Gain = \frac{2 \times 150k\Omega}{R_1} \left(\frac{V}{V} \right) \quad Eq1$$

The input resistor matching directly affects the CMRR, PSRR, and the second harmonic distortion cancellation.

If a differential signal source is used, and the signal is biased from $0.5V \sim V_{DD}-0.8V$ (shown in Figure2), the input capacitor (C_1) is not required.

If the input signal is not biased within the recommended common-mode input range in differential input application (shown in Figure3), or in a single-ended input application (shown in Figure4), the input coupling capacitors are required.

If the input coupling capacitors are used, the R_1 and C_1 form a high-pass filter (HPF). The corner frequency (f_c) of the HPF can be calculated by Eq2

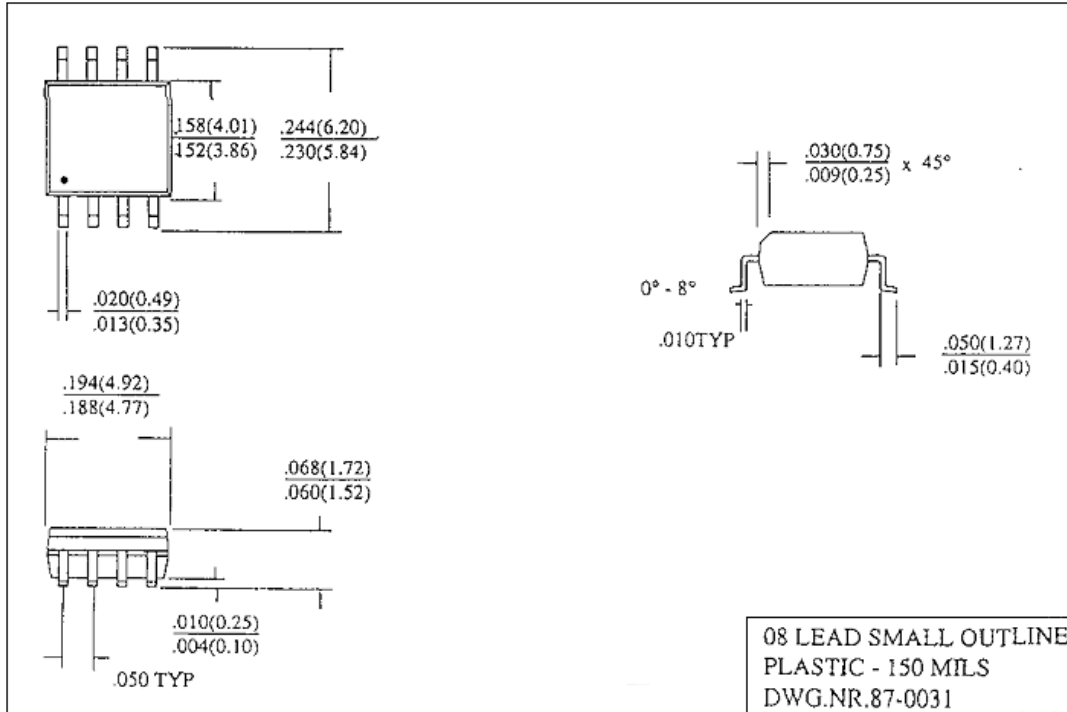
$$f_c = \frac{1}{2\pi \cdot R_1 \cdot C_1} \quad (Hz) \quad Eq2$$

Decoupling Capacitor (C_S)

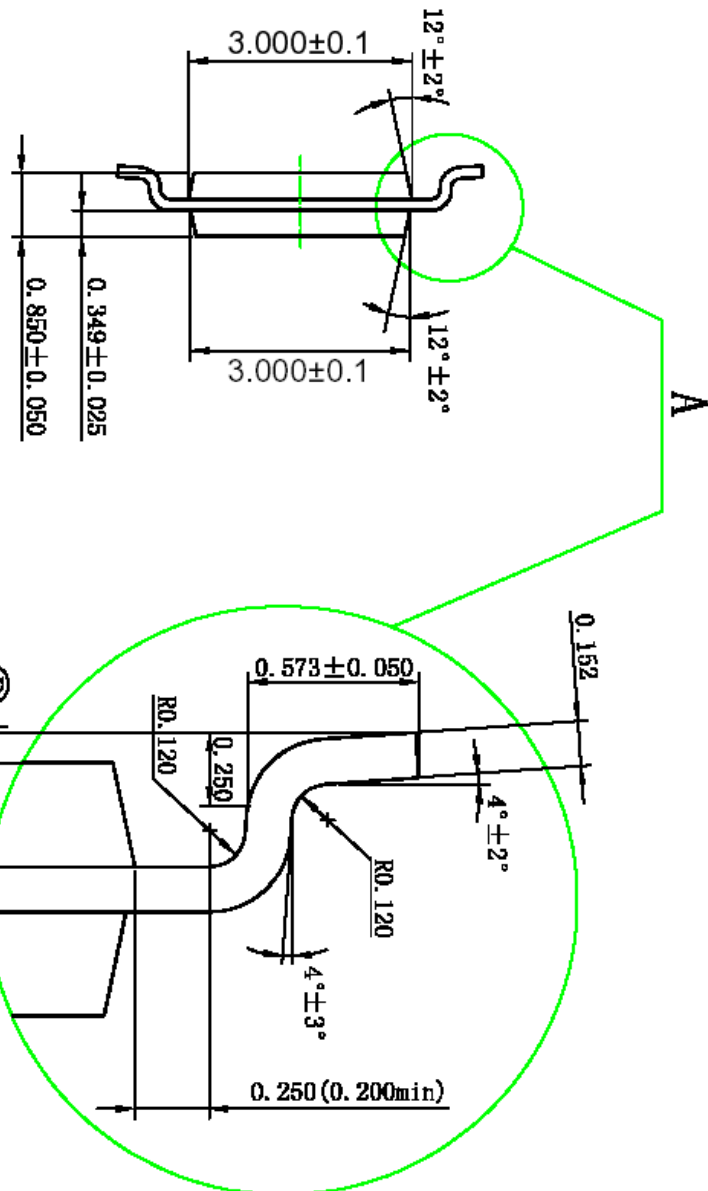
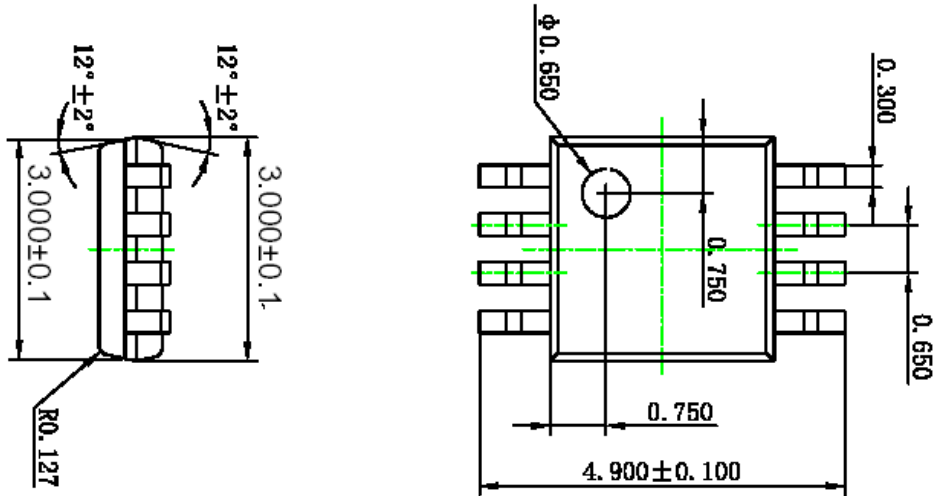
A good low equivalent-series-resistance (ESR) ceramic capacitor (C_S), used as power supply decoupling capacitor (C_S), is required for high power supply rejection (PSRR), high efficiency and low total harmonic distortion (THD). C_S is $2\mu F$, placed as close as possible to the device VDD pin.

Package Dimensions

SOP8



MSOP8



技术要求

1. 成型管脚各引线端相对于基准面B的距离偏差为±0.04 (共面性);
2. 所有尺寸为mm;
3. 视图方向: